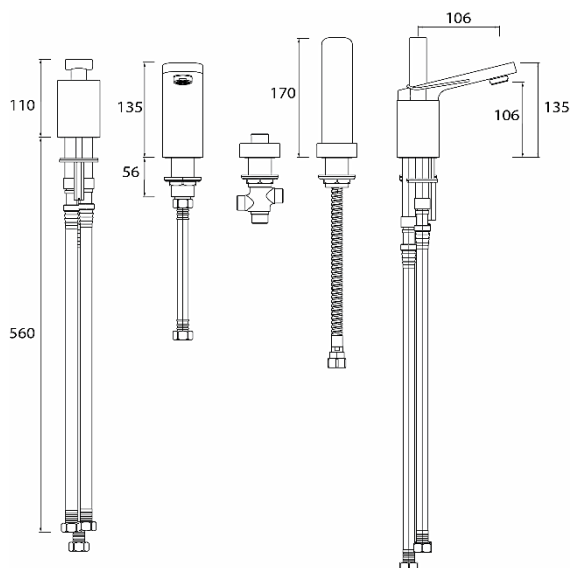


ALP Bath Shower Mixer

Product Specification

Product Code: ALP 4HBSM C
Finish: Chrome plated
Product Type: Contemporary
Construction: Bodies are of all brass construction and is designed to conform to BS EN 200
Cartridge Type: 45mm Cartridge
Supply: Suitable for high plumbing systems
Inlet: M16 22mm Compression Flexible Tails
Working Pressures: Min 1.0 Bar Max 5.0 Bar



Additional Information

- Chrome plated to BS EN 248.
- Supplied with metal handle.
- Supplied with rub clean handset and 1.5m hose.

Technical Advice: For further information please call 0844 7016273 or email customercare@bristan.com.

Guarantee: 5 years covering manufacturing faults.

Flow Rates (litres per minute)

System Pressure	1.0 bar	2.0 bar	3.0 bar	4.0 bar	5.0 bar
ALP 4HBSM C (mixed)	17.9	25.9	33.0	37.9	42.3
ALP 4HBSM C (shower)	10.3	14.9	18.8	21.7	24.1